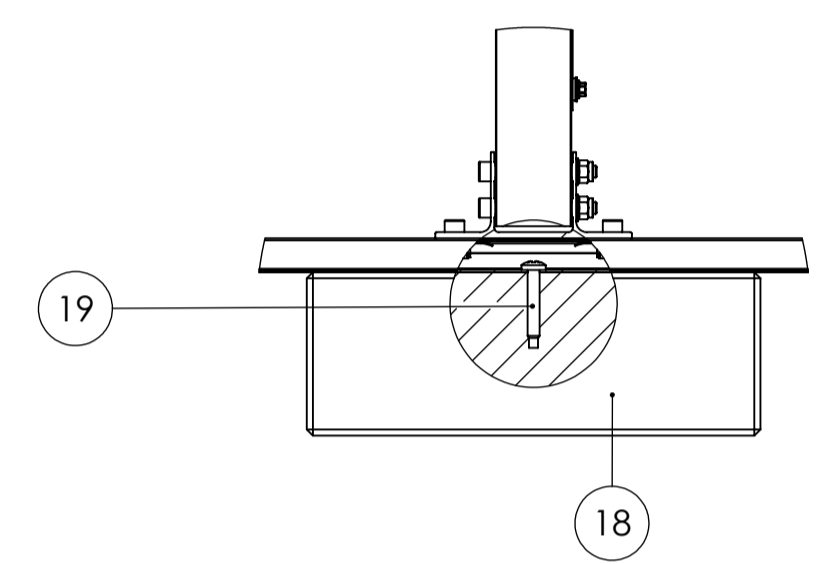
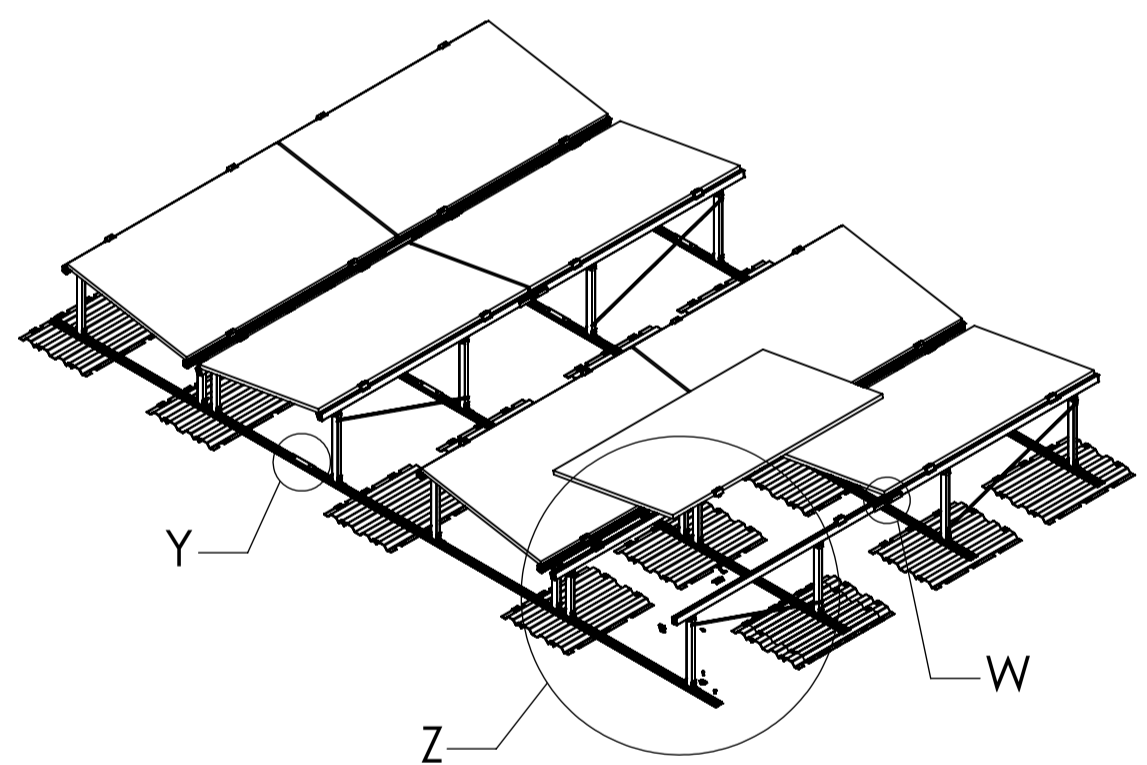


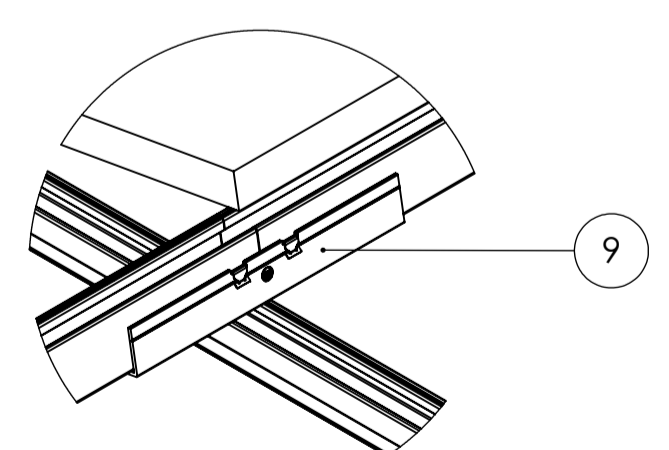
Detail V  
1:5



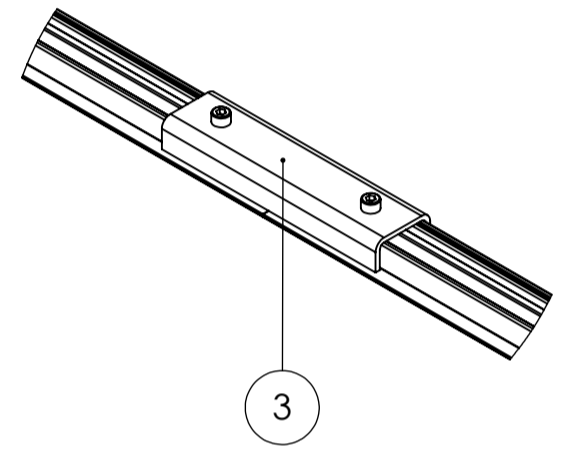
layout sample  
1:50



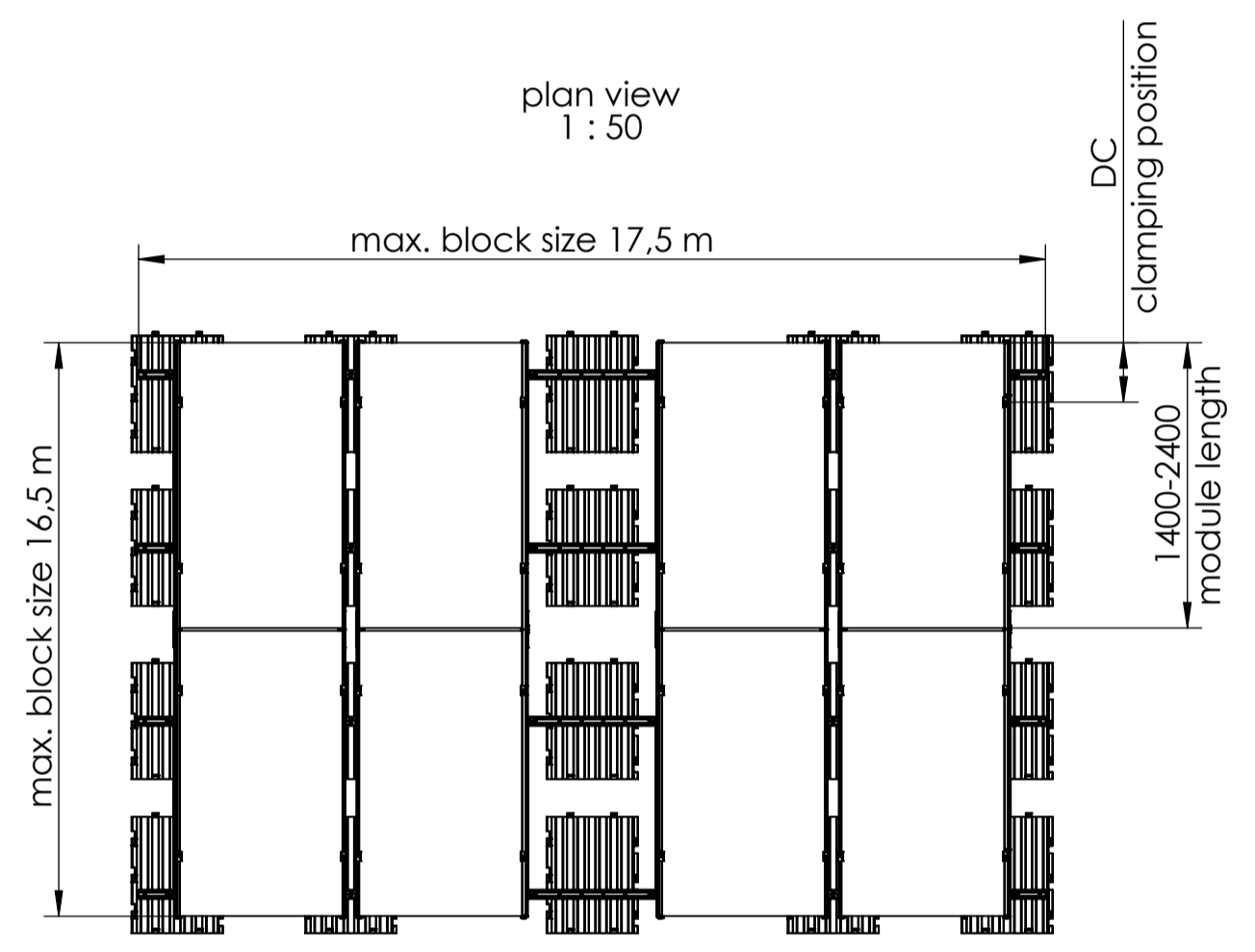
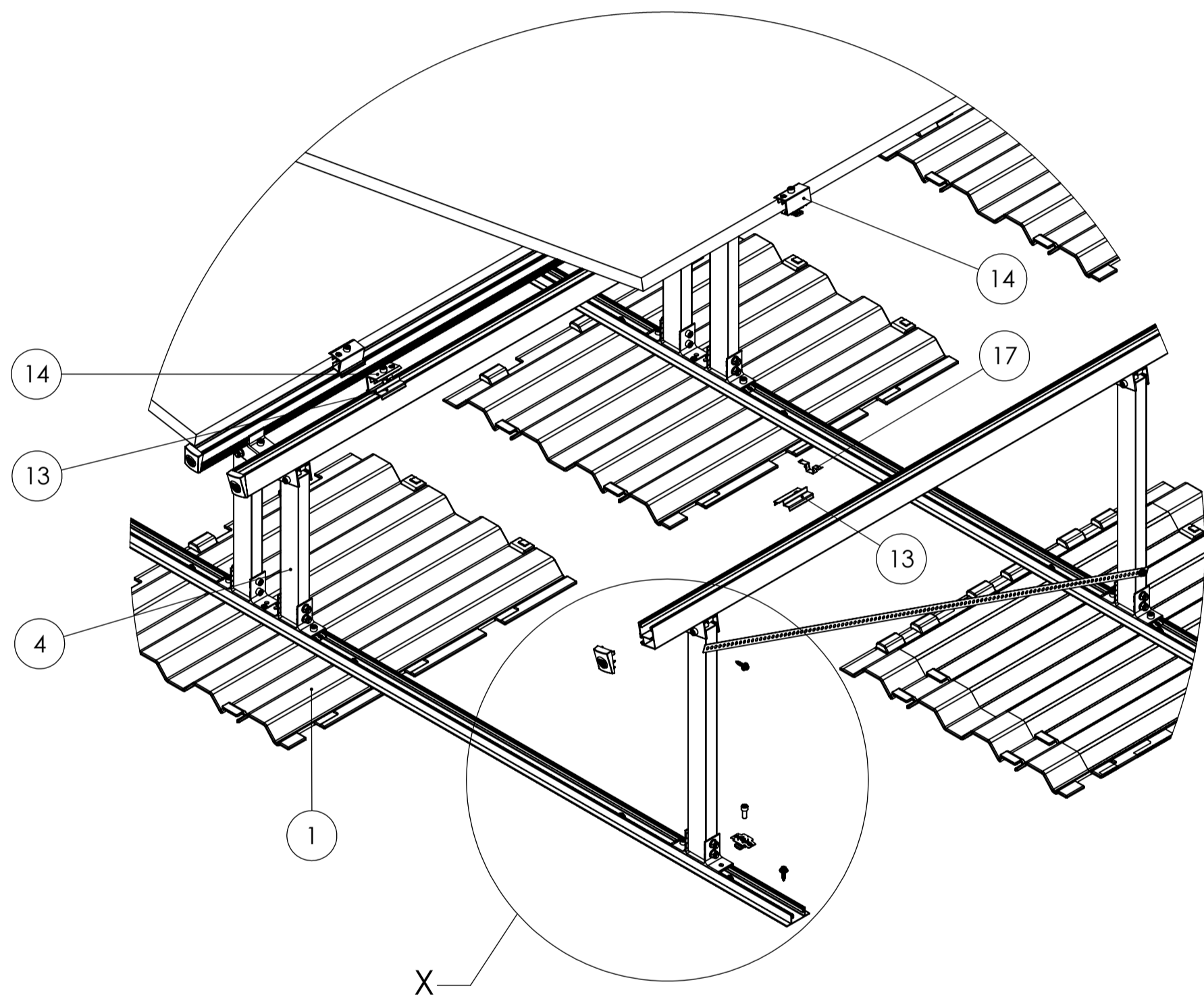
detail W  
1:5



detail Y  
1:5



detail Z  
1:10

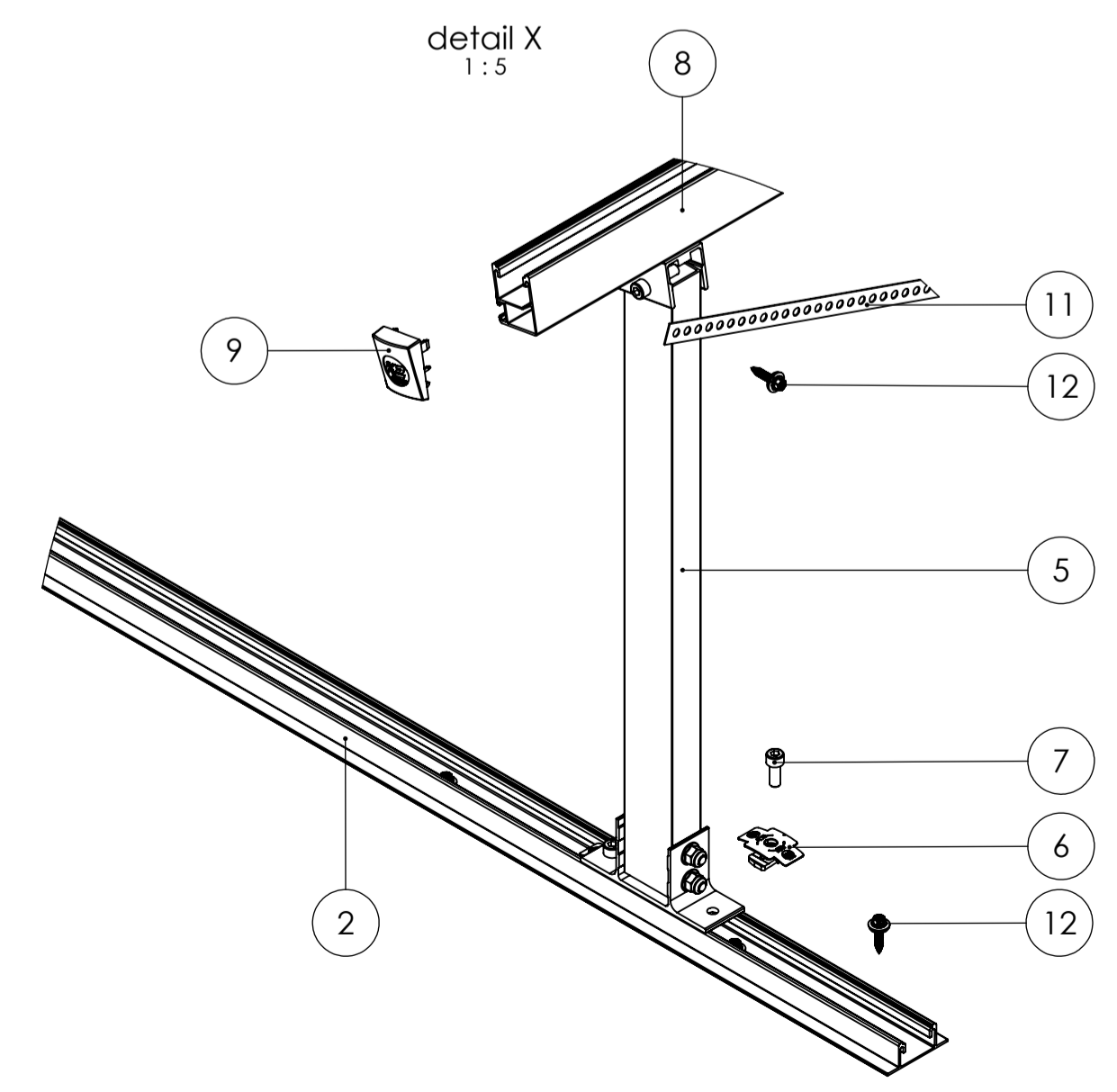


Project specific geometry is determined by row spacing, module length and clamping position in our planning software K2 Base. Calculated values are given for your project in your project's K2 Base report.

| Pos.No. | Designation   | Alternatively                 |
|---------|---|-------------------------------|
| 1       | PE-Plate REN 600x800  |                               |
| 2       | K2 BasicRail 22   |                               |
| 3       | Dome FlatConnector Set                                      |                               |
| 4       | GreenRoof 2.0 Support 376                                   |                               |
| 5       | GreenRoof 2.0 Support 576                                   | GreenRoof 2.0 Support 674     |
| 6       | MK2   |                               |
| 7       | Socket head bolt - serrated - sim. ISO 4762 - M8x20 - A2-70 |                               |
| 8       | SingleRail 50   | SingleRail 36                 |
| 9       | SingleRail 50 EndCap  | SingleRail 36 EndCap          |
| 10      | SingleRail 36/50 RailConnector                              |                               |
| 11      | Metal perforated tie 17 x 0,8 - 10m                         |                               |
| 12      | Thread-forming metal screw 6x25_rs                          |                               |
| 13      | AddOn XS  |                               |
| 14      | XS Clamp EC Black Set 30                                    | XS Clamp EC Black Set 33 / 35 |
| 17      | TerraGrif K2SZ  |                               |
| 18      | Betonstein 300x300x108                                      |                               |
| 19      | Multi-Monti concrete screw 7.5x40                           |                               |

example configurations

| Module width | Module inclination | height front | height back | distance foot M2 | GreenRoof 2.0 Support 576 | GreenRoof 2.0 Support 674 | SingleRail 36 | SingleRail 50 |
|--------------|--------------------|--------------|-------------|------------------|---------------------------|---------------------------|---------------|---------------|
| mm           | °                  | mm           | mm          | mm               |                           |                           |               |               |
| 1134         | 10°                | 451          | 679         | 999              | o                         |                           |               | o             |
| 1134         | 15°                | 451          | 775         | 977              |                           | o                         |               | o             |
| 1134         | 10°                | 437          | 665         | 999              | o                         |                           | o             |               |
| 1134         | 15°                | 437          | 761         | 977              |                           | o                         | o             |               |



K2 Systems GmbH  
Haldenstr. 1  
71272 Renningen  
Germany  
+49 7159 42059-0

Designation: System Data Sheet  
GreenRoof 2.0  
Landscape V-Form

Number: E-00004075

Revision: A1

|               |                  |           |             |                      |
|---------------|------------------|-----------|-------------|----------------------|
| Designed: ASO | Date: 13.04.2026 | Material: | Number:     | Revision: A1         |
| Approved:     |                  | Surface:  |             | All dimensions in mm |
| Last change:  |                  | Weight:   | Scale: 1:20 | Sheet 1 of 1         |

This drawing is the sole property of K2 Systems GmbH. It is protected by copyright and may only be copied, reproduced or distributed to a third party with explicit permission!